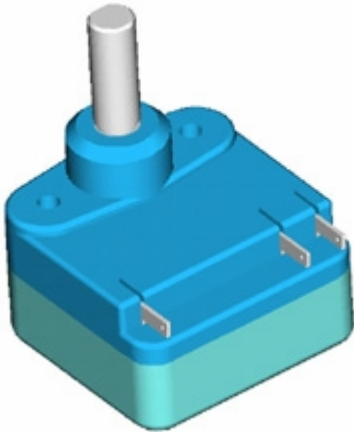


Model(型號): **ROTARY POTENTIOMETER-----R45111AOT**

[Download PDF file](#)



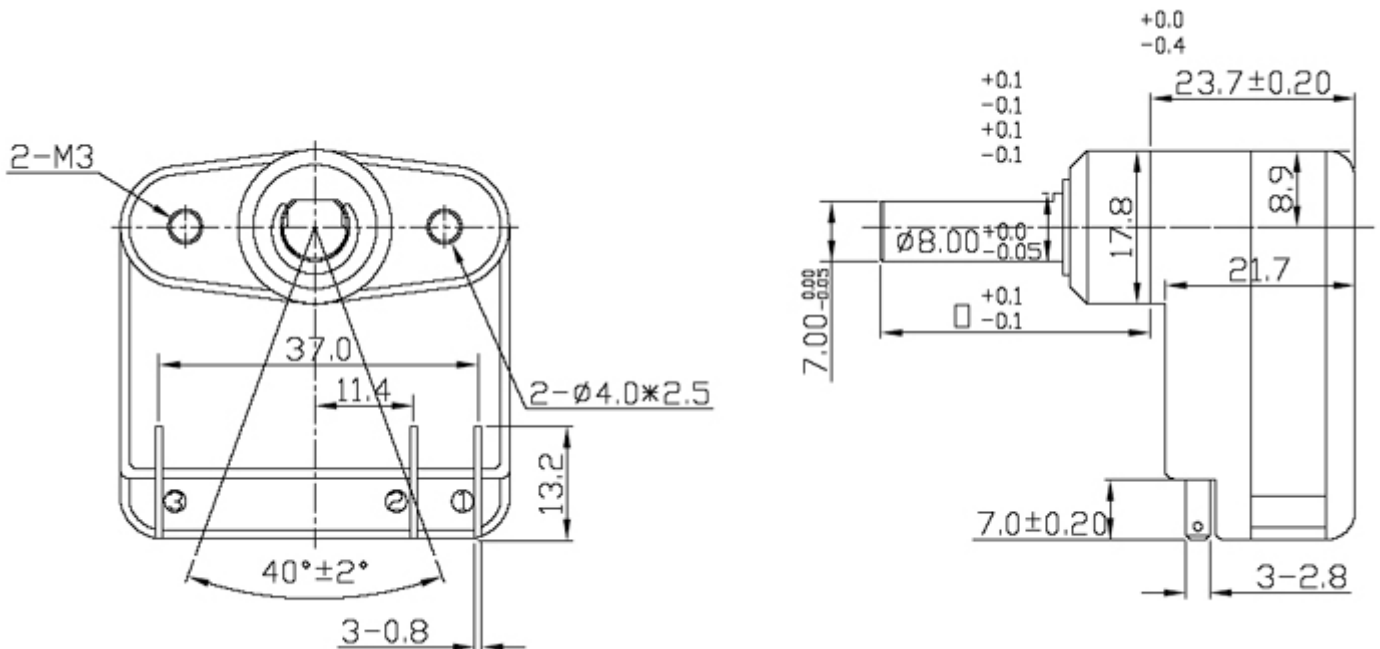
**Features:(特點):**

Excellent operational feeling;Many codels are available.High performance and high dependability.

**Applications(作用):**

Suitable for various control applications sith general consumer electronics products,automotive installation equipment and devices,industrial machines,etc.

**Dimensions(規格圖):**



**Specifications(規格)**

**Electrical Characteristics [ 電氣性能 ]**

|  |   |
|--|---|
| Total resistance [ 全阻抗值 ]              | 500Ω~1MΩ                                  |
| Total resistance tolerance [ 全阻抗值容許差 ] | ±20%                                      |
| Ratings power(w) [ 額定功率 ]              | B curve 0.5W,except B 0.25W               |
| Restings taper[阻抗變化特性]                 | A,B,*C,D,W                                |
| Residual resistance [殘留阻值]             | 20ΩMax.                                   |
| Sliding noise [滑動雜音]                   | 80mV Max.                                 |
| Withstanding voltage [耐電壓]             | 1 minute at AC 500V                       |
| Insulation resistance [絕緣阻抗]           | 100MΩ Min. at DC 500V.                    |
| Max. operating voltage [最高使用電壓]        | linear Taper B AC 500V, except B AC 250V. |
| Gang error:[運動誤差]                      | -40dB~0dB ±3dB Max.                       |
| Switch contact resistance[開關的接觸阻抗]     | less than 0.3mΩ                           |
| Switch Ratings power                   | 1.0A at AC /DC 125V                       |

**Mechanical Characteristics [ 机械性能 ]**

|                                    |                  |
|------------------------------------|------------------|
| Operation torque [ 回轉力矩 ]          | 30~200gf . cm    |
| Rotation stopper strength [ 止動強度 ] | 5.0Kgf . cm Min. |
| Total rotational angle [回轉角度]      | 300±5°           |
| Switch rotational angle[開關的回轉角度]   | 50° ±5°          |
| Switch action[開關的轉動力]              | 150~450gf.cm     |

**Endurance Characteristics [ 耐久性能 ]**

|                          |                        |
|--------------------------|------------------------|
| Rotational life [ 回轉壽命 ] | More than10,000 cycles |
|--------------------------|------------------------|